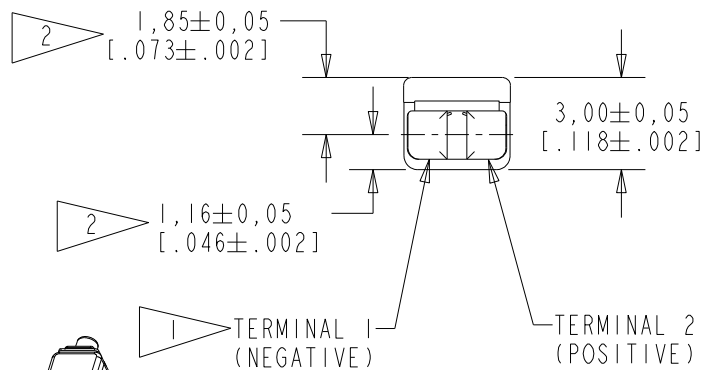
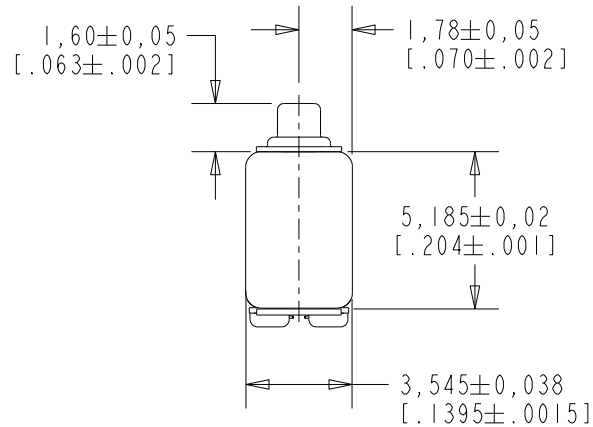


EH-27822-000

SHT 1.1

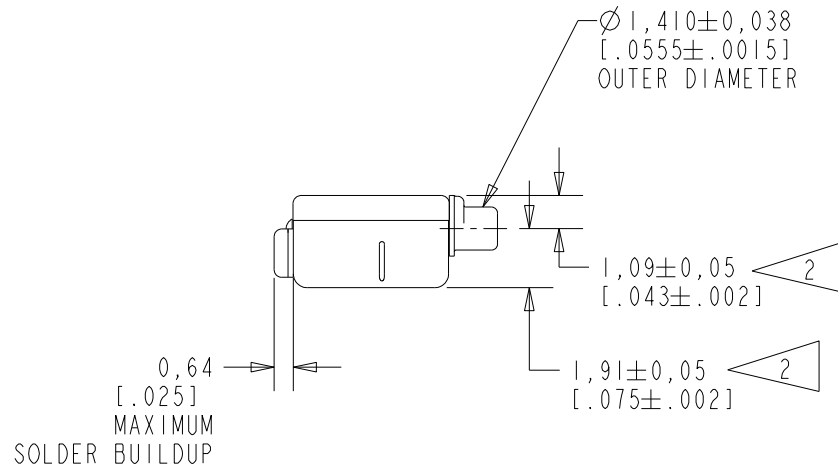
NOTES:

- 1 A POSITIVE GOING VOLTAGE AT TERMINAL 2, RELATIVE TO TERMINAL 1, CAUSES A DECREASE IN PRESSURE AT THE SOUND OUTLET.
- 2 LOCATED FROM TWO SURFACES FOR CUSTOMER CONVENIENCE. ONLY APPLICABLE FROM ONE SURFACE, NOT TO BE USED TOGETHER. HORIZONTAL LOCATION FOR TERMINAL CENTERED TO $\pm 0,17$ [.007].



SCALE 2:1
NOMINAL WEIGHT
.23 GRAMS

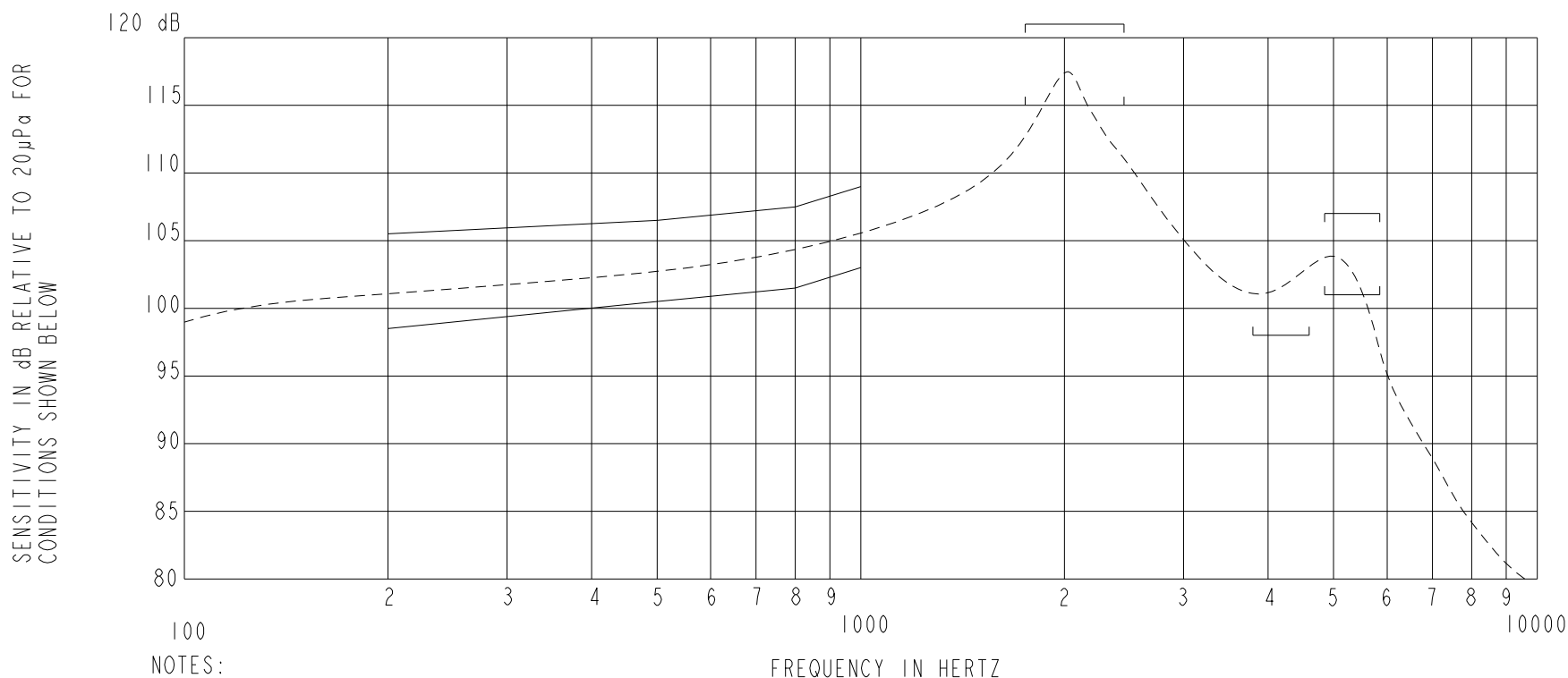
DIMENSIONS IN MILLIMETERS [INCHES]



Revision	C.O. #	Implementation Date	RELEASE LEVEL	REVISION
			Active	D
D	PI0000990	11-25-16		

SCALE: 4:1		DR. BY: AB	DATE: 11-12-05
DO NOT SCALE DRAWING			
TITLE: RECEIVER		EH-27822-000	
OUTLINE DRAWING		SHT 1.1	
		CK. BY: GJP	DATE: 11-21-05
		APP. BY: GJP	DATE: 11-21-05

KNOWLES CORPORATION



NOTES:

1. MEASUREMENTS MADE USING 10mm (.394") OF 1mm (.039") ID TUBE CONNECTED TO A SIMULATED ANSI S3.3-1960 TYPE HA-3 (IEC 60318-5).

FREQUENCY	SENSITIVITY	
	MIN.	MAX.
200	98.5	105.5
500	100.5	106.5
800	101.5	107.5
1000	103.0	109.5
1650-2350	115.0	121.0
3600-4400	98.0	---
4650-5650	101.0	107.0

- RESPONSE, IMPEDANCE, AND DISTORTION MEASUREMENTS MADE USING THE ELECTRICAL TEST CONDITIONS SHOWN BELOW.
- ELECTRICAL SOURCE IMPEDANCE MUST BE GREATER THAN 20 TIMES 1KHz IMPEDANCE FOR TEST CONDITIONS SHOWN BELOW.
- INDIVIDUAL SPECIFICATIONS.

PORT LOCATION	IMPEDANCE OHMS ±15%		DCR @20°C OHMS ±10%	DISTORTION		ELECTRICAL TEST CONDITIONS	
	1KHz	500Hz		MAX. %	FREQ Hz	AC mA RMS	DC mA
12C	333	184	105	10	800	1.40	0.0

Revision	C.O. #	Implementation Date	RELEASE LEVEL	REVISION
D	PI0000990	11-25-16	Active	D

KNOWLES CORPORATION

WHEN TEST LIMITS ARE USED TO ESTABLISH INCOMING INSPECTION ACCEPTANCE/REJECTION CRITERIA, CORRELATION OF TEST EQUIPMENT WITH KNOWLES IS ALSO REQUIRED FOR ELIMINATION OF EQUIPMENT AND TEST METHOD VARIATION		DR. BY	DATE
TITLE: RECEIVER PERFORMANCE SPECIFICATION		AB	11-12-05
		GJP	11-21-05
EH-27822-000 SHT 2.1		APP. BY	DATE
		GJP	11-21-05